

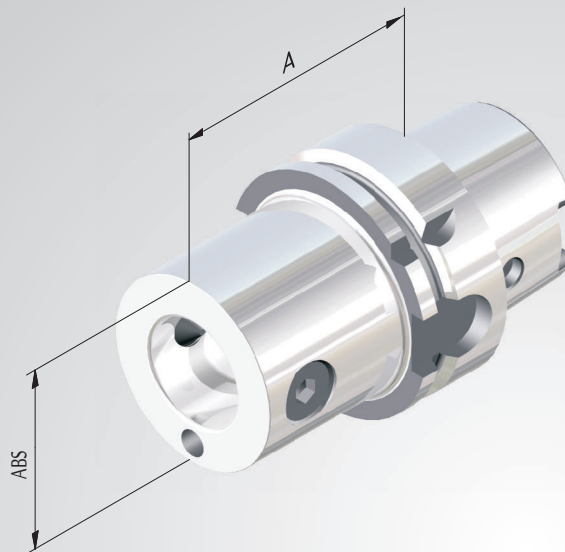
ABS holder

Application: For holding modular tool shanks with ABS-interface.

Technical Design: With ABS mounting parts.

Includes: See page 136.

 **Balanced**
G 6,3 at 8.000^{min-1}



Order No.	HSK	ABS	A
606326-01	63	25	50
606326-02	63	32	50
606326-03	63	40	60
606326-04	63	50	70
606326-05	63	63	80