

## Combi shell mill holder

**Application:** For adapting shell mills with transverse and longitudinal groove.

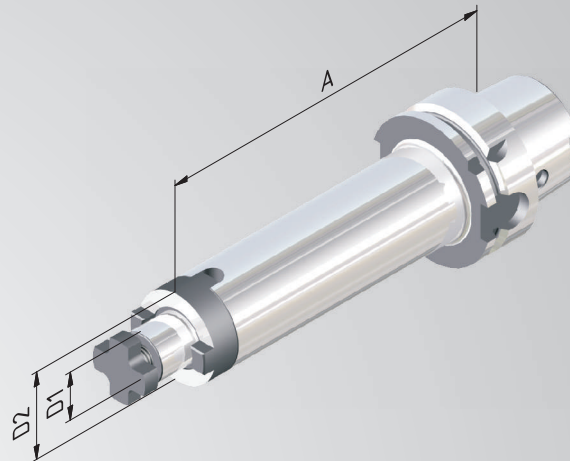
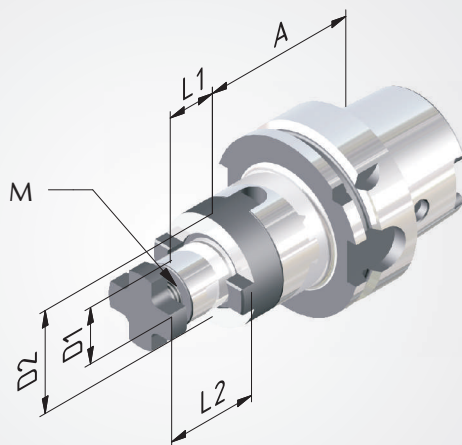
**Technical Design:** Runout of outer taper to  $D_1 \leq 0,006$  mm.

**Includes:** Clamping screw, drive key and adjusting spring.

**Accessories:** See page 135.



**Fine balanced**  
G 2,5 at 25.000<sup>rpm</sup>  
or max. residual imbalance  
 $\leq 1$  gmm



Order No.	HSK	D1	A	D2	l1	l2	M
SHORT							
606306-01	63	16	60	32	17	27	M8
606306-02	63	22	60	40	19	31	M10
606306-03	63	27	60	48	21	33	M12
606306-04	63	32	60	58	24	38	M16
606306-05	63	40	70	70	27	41	M20
= 100							
606306-011	63	16	100	32	17	27	M8
606306-021	63	22	100	40	19	31	M10
606306-031	63	27	100	48	21	33	M12
606306-041	63	32	100	58	24	38	M16
= 160							
606306-61	63	16	160	32	17	27	M8
606306-62	63	22	160	40	19	31	M10
606306-63	63	27	160	48	21	33	M12
606306-64	63	32	160	58	24	38	M16
606306-65	63	40	160	70	27	41	M20