

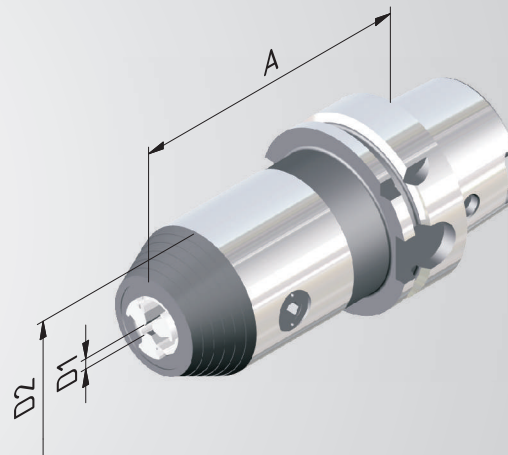
Short drill chuck

Application: For clamping tools with cylindrical shank. Also suitable for tools with internal coolant.

Technical Design: Wrench.



Balanced
G 6,3 at 8.000^{min-1}



Order No.	HSK	Clamping range D1	A	D2
606395-31	63	1-13	104	43
606395-32	63	1-16	109	56