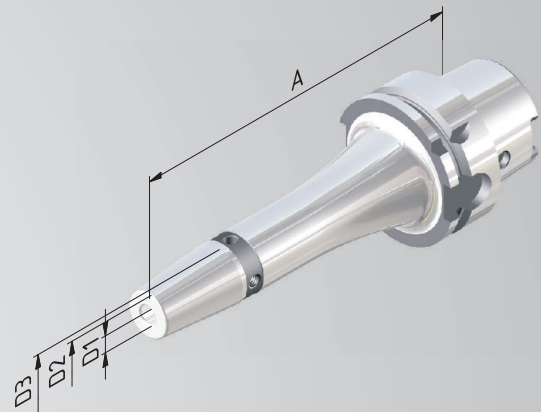
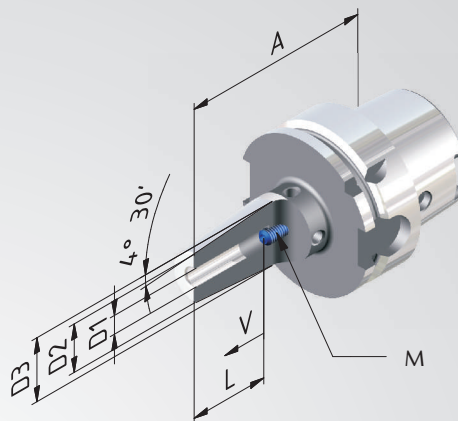


Shrink fit holder 4,5°

- Application:** For clamping tools with cylindrical shank of solid carbide or HSS, tol. h6.
- Technical Design:** Made of special heat resistant steel. Suitable for inductive shrinking unit. With four additional threads for supplementary fine balancing. Runout of outer taper to $D_1 \leq 0,003$ mm.
- Includes:** Set screw.
- Accessories:** See page 133.



Fine balanced
G 2,5 at 25.000^{rpm}
or max. residual imbalance
 ≤ 1 gmm



Extra short shrink fit holders
can be found on page 18,
shrink fit holders »Cool Tool«.

Order No.	HSK	D1	A	D2	D3	V	L	M
SHORT								
606321-13	63	3	80	12	17	-	-	-
606321-14	63	4	80	12	17	-	-	-
606321-15	63	5	80	12	17	-	-	-
606321-01	63	6	80	21	27	10	37	M5
606321-02	63	8	80	21	27	10	37	M6
606321-03	63	10	85	24	32	10	42	M8x1
606321-04	63	12	90	24	32	10	48	M10x1
606321-05	63	14	90	27	34	10	48	M10x1
606321-06	63	16	95	27	34	10	51	M12x1
606321-07	63	18	95	33	42	10	51	M12x1
606321-08	63	20	100	33	42	10	53	M16x1
606321-09	63	25	115	44	53	10	59	M16x1
606321-10	63	32	120	44	53	10	63	M16x1

Long versions see next page >>

Shrink fit holder 4,5°



Fine balanced
*G 2,5 at 25.000^{min}
 or max. residual imbalance
 ≤ 1 gmm*

Order No.	HSK	D1	A	D2	D3	V	L	M	
			= 120						
606321-313	63	3	120	12	17	-	-	-	
606321-314	63	4	120	12	17	-	-	-	
606321-315	63	5	120	12	17	-	-	-	
606321-31	63	6	120	21	27	10	37	M5	
606321-32	63	8	120	21	27	10	37	M6	
606321-33	63	10	120	24	32	10	42	M8x1	
606321-34	63	12	120	24	32	10	48	M10x1	
606321-35	63	14	120	27	34	10	48	M10x1	
606321-36	63	16	120	27	34	10	51	M12x1	
606321-37	63	18	120	33	42	10	51	M12x1	
606321-38	63	20	120	33	42	10	53	M16x1	
			= 130						
606321-513	63	3	130	12	-	-	-	-	
606321-514	63	4	130	12	-	-	-	-	
606321-515	63	5	130	12	-	-	-	-	
606321-51	63	6	130	21	27	10	37	M5	
606321-52	63	8	130	21	27	10	37	M6	
606321-53	63	10	130	24	32	10	42	M8x1	
606321-54	63	12	130	24	32	10	48	M10x1	
606321-55	63	14	130	27	34	10	48	M10x1	
606321-56	63	16	130	27	34	10	51	M12x1	
606321-57	63	18	130	33	42	10	51	M12x1	
606321-58	63	20	130	33	42	10	53	M16x1	
606321-59	63	25	130	44	53	10	59	M16x1	
			= 160						
606321-613	63	3	160	12	17	-	-	-	
606321-614	63	4	160	12	17	-	-	-	
606321-615	63	5	160	12	17	-	-	-	
606321-61	63	6	160	21	27	10	37	M5	
606321-62	63	8	160	21	27	10	37	M6	
606321-63	63	10	160	24	32	10	42	M8x1	
606321-64	63	12	160	24	32	10	48	M10x1	
606321-65	63	14	160	27	34	10	48	M10x1	
606321-66	63	16	160	27	34	10	51	M12x1	
606321-67	63	18	160	33	42	10	51	M12x1	
606321-68	63	20	160	33	42	10	53	M16x1	
606321-69	63	25	160	44	53	10	59	M16x1	
606321-70	63	32	160	44	53	10	63	M16x1	
			= 200						
606321-81	63	6	200	21	27	10	37	M5	
606321-82	63	8	200	21	27	10	37	M6	
606321-83	63	10	200	24	32	10	42	M8x1	
606321-84	63	12	200	24	32	10	48	M10x1	
606321-85	63	14	200	27	34	10	48	M10x1	
606321-86	63	16	200	27	34	10	51	M12x1	
606321-87	63	18	200	33	42	10	51	M12x1	
606321-88	63	20	200	33	42	10	53	M16x1	
606321-89	63	25	200	44	53	10	59	M16x1	

HSK-A 63