

## Extended slim shrink fit holder

**Application:** For clamping tools with cylindrical shank of solid carbide or HSS, tol. h6.

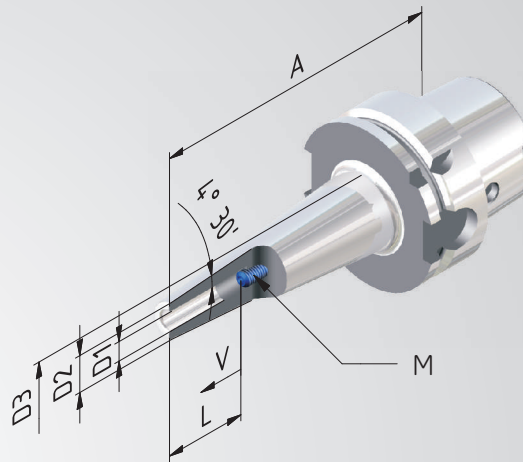
**Technical Design:** Made of special heat resistant steel. Suitable for inductive shrinking unit. Runout of outer taper to  $D_1 \leq 0,003$  mm.

**Includes:** Set screw.

**Accessories:** See page 133.



**Fine balanced**  
 $G 2,5$  at  $25.000 \text{ mm}^3$   
or max. residual imbalance  
 $\leq 1 \text{ gmm}$



Order No.	HSK	D1	A	D2	D3	V	L	M
			= 120					
606321-41	63	6	120	15	30	10	37	M5
606321-42	63	8	120	15	30	10	37	M6
606321-43	63	10	120	18	33	10	42	M8x1
606321-44	63	12	120	18	33	10	48	M10x1

Version »Cool Tool«

6063219-41	63	6	120	15	30	10	37	M5
6063219-42	63	8	120	16	31	10	37	M6
6063219-43	63	10	120	18	33	10	42	M8x1
6063219-44	63	12	120	20	35	10	48	M10x1

