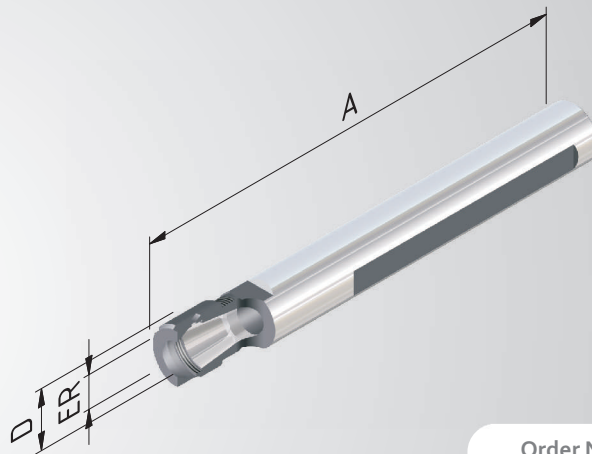


Collet chuck extensions »Mini«

- Application:** For the extension of tool holders. Cylindrical shank can be clamped in end mill holder or collet chuck.
- Includes:** Clamping nut.
- Accessories:** See page 133.



Order No.	D	ER	A SHORT
119-49	16	11	169
119-50	20	16	163
119-51	25	20	164