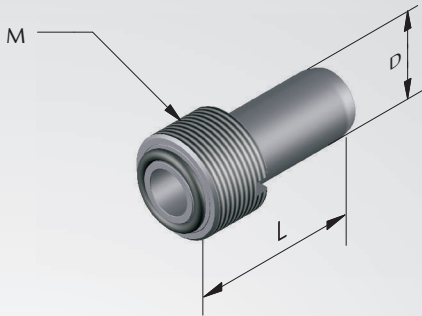
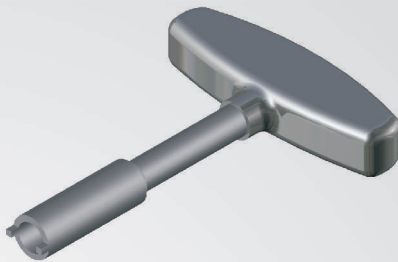


Coolant tube



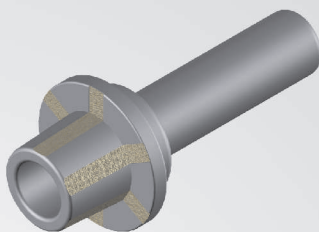
Order No.	HSK	M	D	I
603224	32	M10x1	6	26
604024	40	M12x1	8	29
605024	50	M16x1	10	33
606324	63	M18x1	12	36,5
608024	80	M20x1,5	14	39,5
610024	100	M24x1,5	16	43,5

Wrench for coolant tube



Order No.	HSK
603225	32
604025	40
605025	50
606325	63
608025	80
610025	100

Taper cleaner



Order No.	HSK
228032	32
228040	40
228050	50
228063	63
228080	80
228100	100