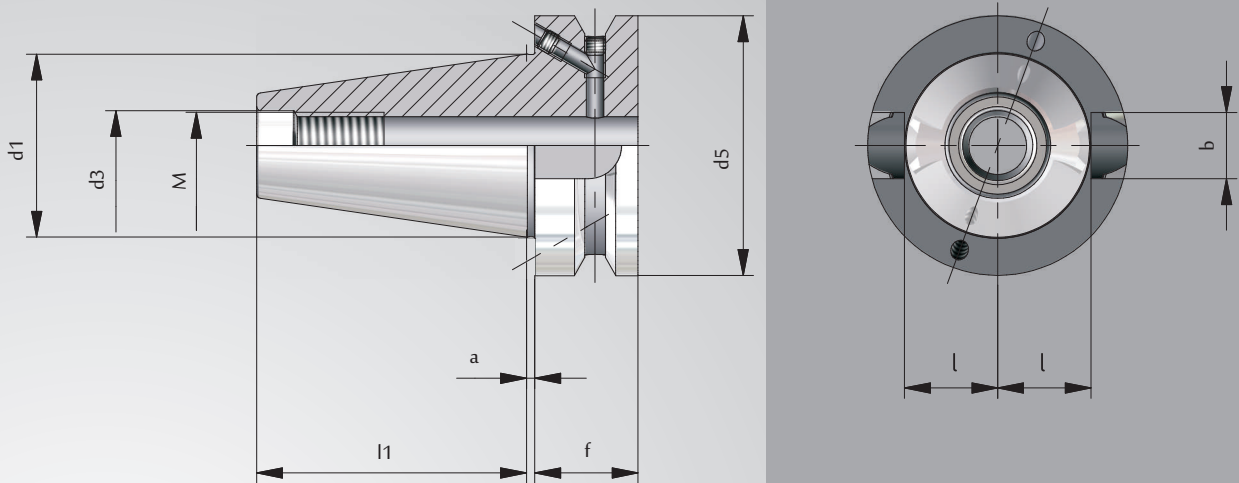


TOOL HOLDERS WITH SHANK ISO 7388-2, FORM JD/JF FORMER MAS-BT, FORM AD/B

MAS-BT



BT	l_1	d_1	d_5	f	a	M	d_3	b	l
30*	48,4	31,75	46	20	2	M12	12,5	16,1	16,3
40	65,4	44,45	63	25	2	M16	17	16,1	22,6
50	101,8	69,85	100	35	3	M24	25	25,7	35,4

*Version AD.