

Combi shell mill holder

Application: For adapting shell mills with transverse and longitudinal groove.

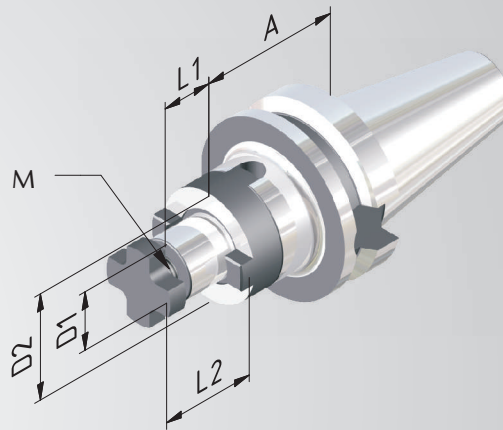
Technical Design: Runout of outer taper to $D_1 \leq 0,006$ mm.

Includes: Clamping screw, drive keys and adjusting spring.

Accessories: See page 135.



Fine balanced
G 2,5 at 25.000^{rpm}⁻¹
or max. residual imbalance
 ≤ 1 gmm



Order No.	BT	D1	A	D2	l ₁	l ₂	M
754006-01	40	16	55	32	17	27	M8
754006-02	40	22	55	40	19	31	M10
754006-03	40	27	55	48	21	33	M12
754006-04	40	32	60	58	24	38	M16