

Shrink fit holder 4,5°

Application: For clamping tools with cylindrical shank of solid carbide or HSS, tol. h6.

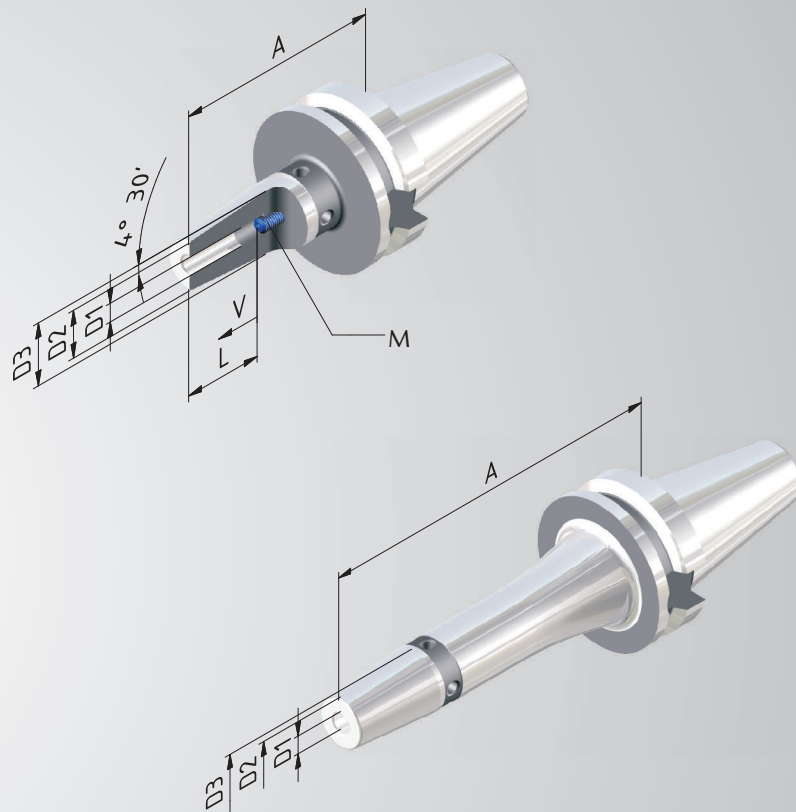
Technical Design: Made of special heat resistant steel. Suitable for inductive shrinking unit. With four additional threads for supplementary fine balancing. Runout of outer taper to $D_1 \leq 0,003$ mm.

Includes: Set screw.

Accessories: See page 133.



Fine balanced
G 2,5 at 25.000^{min-1}
or max. residual imbalance
 ≤ 1 gmm



Long versions see next page >>

Shrink fit holder 4,5°



Fine balanced
G 2,5 at 25.000^{rpm}
or max. residual imbalance
≤ 1 gmm

Order No.	BT	D1	A	D2	D3	V	L	M
= 100								
755021-01	50	6	100	21	27	10	37	M5
755021-02	50	8	100	21	27	10	37	M6
755021-03	50	10	100	24	32	10	42	M8x1
755021-04	50	12	100	24	32	10	48	M10x1
755021-05	50	14	100	27	34	10	48	M10x1
755021-06	50	16	100	27	34	10	51	M12x1
755021-07	50	18	100	33	42	10	51	M12x1
755021-08	50	20	100	33	42	10	53	M16x1
755021-09	50	25	100	44	53	10	59	M16x1
755021-10	50	32	100	44	53	10	63	M16x1
= 130								
755021-51	50	6	130	21	27	10	37	M5
755021-52	50	8	130	21	27	10	37	M6
755021-53	50	10	130	24	32	10	42	M8x1
755021-54	50	12	130	24	32	10	48	M10x1
755021-55	50	14	130	27	34	10	48	M10x1
755021-56	50	16	130	27	34	10	51	M12x1
755021-57	50	18	130	33	42	10	51	M12x1
755021-58	50	20	130	33	42	10	53	M16x1
755021-59	50	25	130	44	53	10	59	M16x1
755021-60	50	32	130	44	53	10	63	M16x1
= 160								
755021-61	50	6	160	21	27	10	37	M5
755021-62	50	8	160	21	27	10	37	M6
755021-63	50	10	160	24	32	10	42	M8x1
755021-64	50	12	160	24	32	10	48	M10x1
755021-65	50	14	160	27	34	10	48	M10x1
755021-66	50	16	160	27	34	10	51	M12x1
755021-67	50	18	160	33	42	10	51	M12x1
755021-68	50	20	160	33	42	10	53	M16x1
755021-69	50	25	160	44	53	10	59	M16x1
755021-70	50	32	160	44	53	10	63	M16x1
= 200								
755021-81	50	6	200	21	27	10	37	M5
755021-82	50	8	200	21	27	10	37	M6
755021-83	50	10	200	24	32	10	42	M8x1
755021-84	50	12	200	24	32	10	48	M10x1
755021-85	50	14	200	27	34	10	48	M10x1
755021-86	50	16	200	27	34	10	51	M12x1
755021-87	50	18	200	33	42	10	51	M12x1
755021-88	50	20	200	33	42	10	53	M16x1
755021-89	50	25	200	44	53	10	59	M16x1
755021-90	50	32	200	44	53	10	63	M16x1