

## Combi shell mill holder

**Application:** For adapting shell mills with transverse and longitudinal groove.

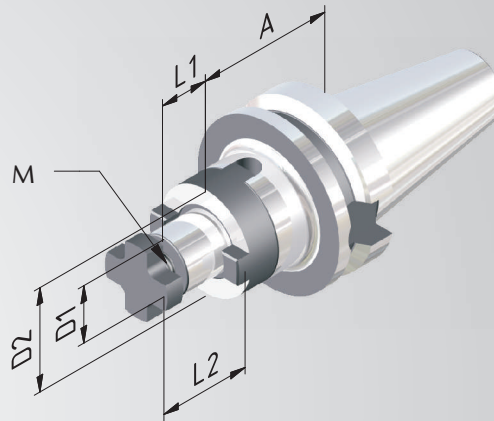
**Technical Design:** Runout of outer taper to  $D_1 \leq 0,006$  mm.

**Includes:** Clamping screw, drive keys and adjusting spring.

**Accessories:** See page 135.



**Fine balanced**  
 $G_{2,5}$  at  $25.000^{mm^2}$   
or max. residual imbalance  
 $\leq 1$  gmm



Order No.	BT	D1	A	D2	l1	l2	M
755006-02	50	22	70	40	19	31	M8
755006-03	50	27	70	48	21	33	M10
755006-04	50	32	70	58	24	38	M12
755006-05	50	40	70	70	27	41	M16