

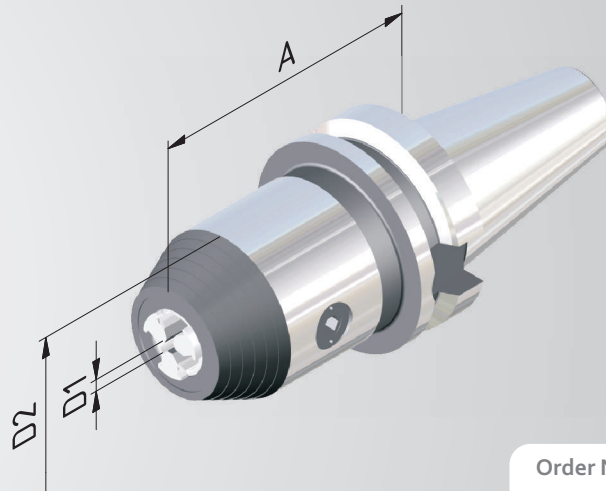
Short drill chuck

Application: For clamping tools with cylindrical shank. Also suitable for tools with internal coolant.

Technical Design: Wrench.



Balanced
G 6,3 at 8.000^{rpm}



Order No.	BT	Clamping range	A	D ₂
755095-01	50	1-13	111	45
755095-02	50	1-16	116	50