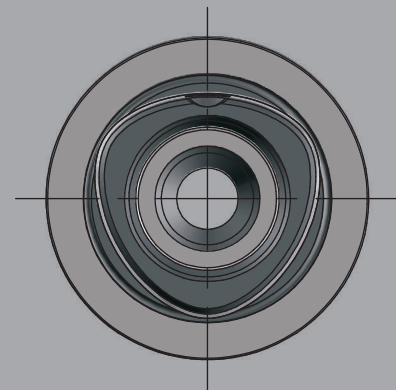
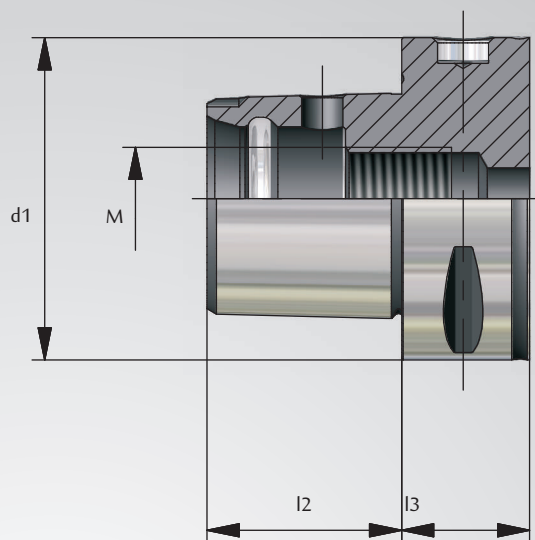


## TOOL HOLDERS WITH POLYGONAL SHANK CORUM



POLYGONAL SHAFT CORUM

C	$d_1$	$l_2$	$l_3$	M
4	40	24	20	M14x1,5
5	50	30	20	M16x1,5
6	63	38	22	M20x2
8	80	48	30	M20x2