

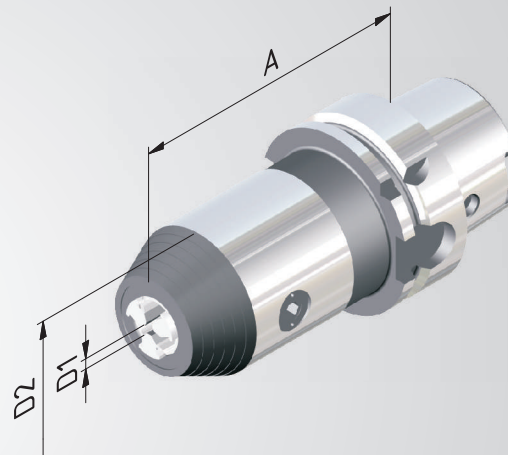
## Short drill chuck

**Application:** For clamping tools with cylindrical shank. Also suitable for tools with internal coolant.

**Technical Design:** Wrench.



Fine balanced  
G 6,3 at 8.000<sup>rpm</sup>



Order No.	HSK	Clamping range D1	A	D2
610095-31	100	1-13	122	43
610095-32	100	1-16	127	56