

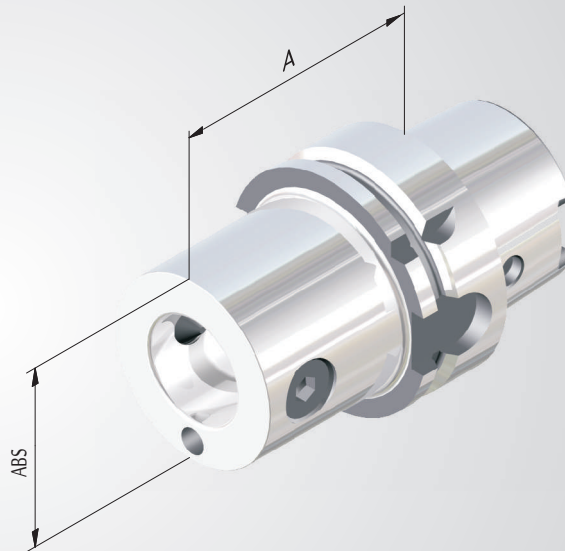
ABS holder

Application: For holding modular tool shanks with ABS-interface.

Technical Design: With ABS mounting parts.

Includes: See page 136.

 **Balanced**
G 6,3 at 8.000^{min}-s



Order No.	HSK	ABS	A
610026-02	100	32	60
610026-03	100	40	80
610026-04	100	50	80
610026-05	100	63	90
610026-06	100	80	90
610026-07	100	100	100