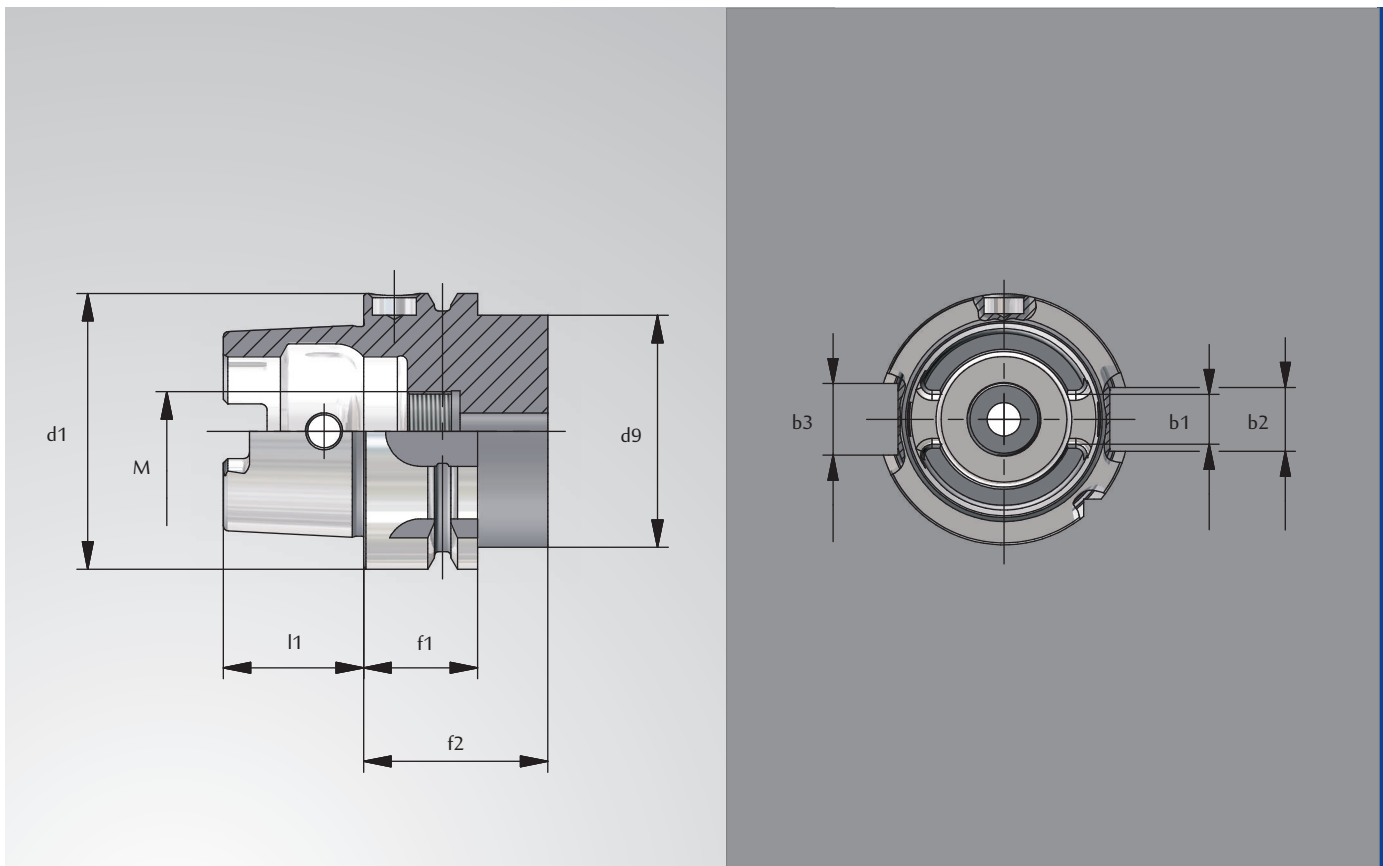


## TOOL HOLDERS WITH SHANK HSK-A 63, HSK-A 80 AND HSK-A 100



HSK-A 63 + HSK-A 80 + HSK-A 100

HSK	$d_1$	$d_9$ max.	$l_1$	$f_1$	$f_2$ min.	$b_1$	$b_2$	$b_3$	M
63	63	53	32	26	42	12,54	16	18	M18x1
80	80	68	40	26	42	16,04	18	20	M20x1,5
100	100	85	50	29	45	20,02	20	22	M24x1,5