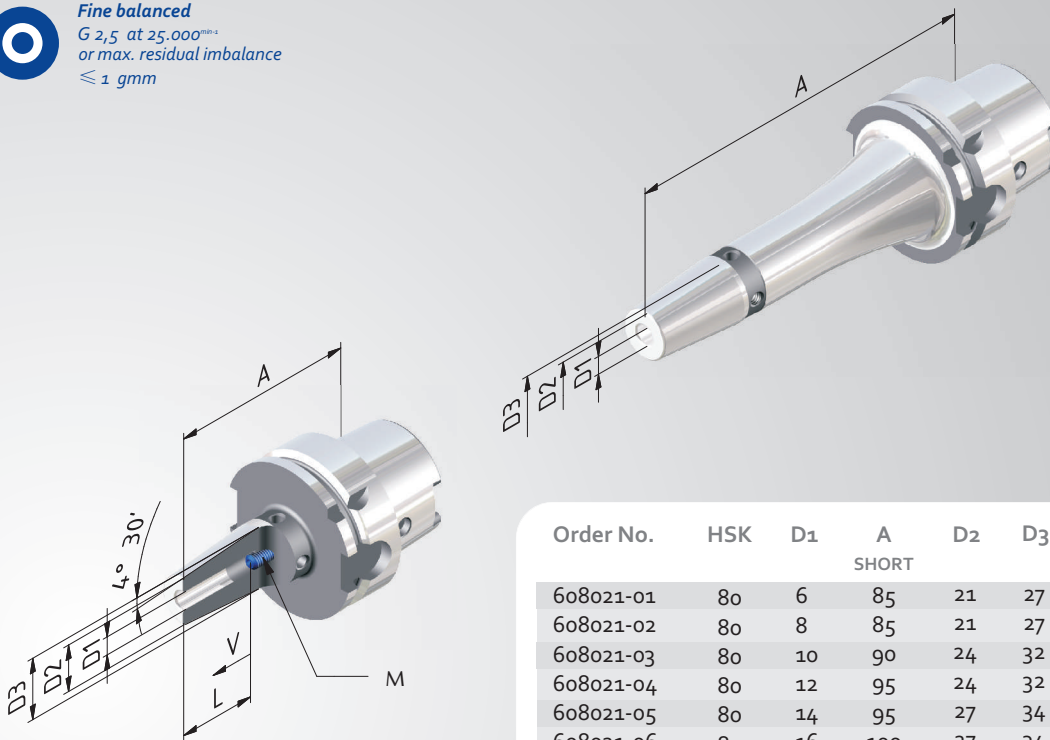


## Shrink fit holder 4,5°

- Application:** For clamping tools with cylindrical shank of solid carbide or HSS, tol. h6.
- Technical Design:** Made of special heat resistant steel. Suitable for inductive shrinking unit. With four additional threads for supplementary fine balancing. Runout of outer taper to  $D_1 \leq 0,003$  mm.
- Includes:** Set screw.
- Accessories:** See page 133.



**Fine balanced**  
 $G 2,5$  at  $25.000^{rpm}$   
or max. residual imbalance  
 $\leq 1$  gmm



Order No.	HSK	D1	A	D2	D3	V	L	M
			SHORT					
608021-01	80	6	85	21	27	10	37	M5
608021-02	80	8	85	21	27	10	37	M6
608021-03	80	10	90	24	32	10	42	M8x1
608021-04	80	12	95	24	32	10	48	M10x1
608021-05	80	14	95	27	34	10	48	M10x1
608021-06	80	16	100	27	34	10	51	M12x1
608021-07	80	18	100	33	42	10	51	M12x1
608021-08	80	20	105	33	42	10	53	M16x1
608021-09	80	25	115	44	53	10	59	M16x1
608021-10	80	32	120	44	53	10	63	M16x1
			= 160					
608021-61	80	6	160	21	27	10	37	M5
608021-62	80	8	160	21	27	10	37	M6
608021-63	80	10	160	24	32	10	42	M8x1
608021-64	80	12	160	24	32	10	48	M10x1
608021-66	80	16	160	27	34	10	51	M12x1
608021-68	80	20	160	33	42	10	53	M16x1
608021-69	80	25	160	44	53	10	59	M16x1