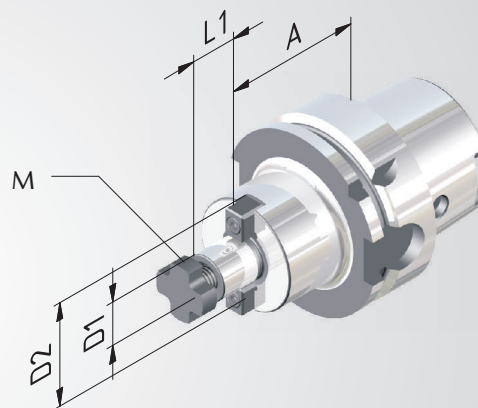


Shell mill holder

- Application:** For adapting shell mills with transverse slot.
- Technical Design:** With extended flange. Runout of outer taper to $D_1 \leq 0,006$ mm.
- Includes:** Clamping screw and drive keys.
- Accessories:** See page 134.



Fine balanced
G 2,5 at 25.000^{rpm}-1
 or max. residual imbalance
 ≤ 1 gmm



Order No.	HSK	D1	A	D2	l1	M
			SHORT			
608005-02	80	22	50	48	19	M8
608005-03	80	27	50	60	21	M10
608005-04	80	32	60	78	24	M12
608005-05	80	40	60	89	27	M16