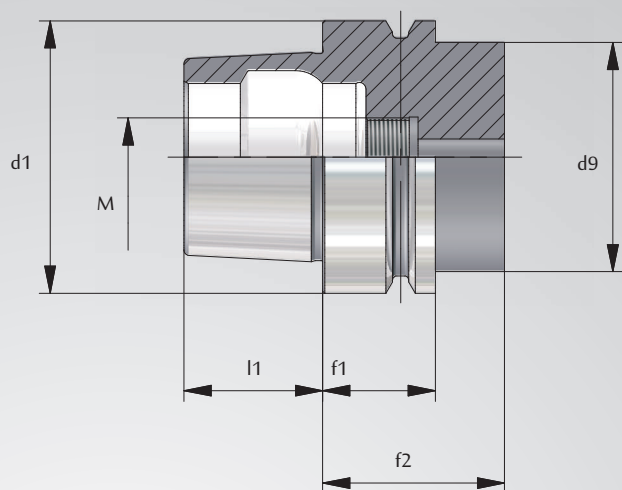


TOOL HOLDERS WITH SHANK HSK-FORM E



HSK-FORM E

HSK	d_1	d_9 max.	l_1	f_1	f_2 min.	M
40	40	34	20	20	35	M12x1
50	51	42	25	26	42	M16x1