

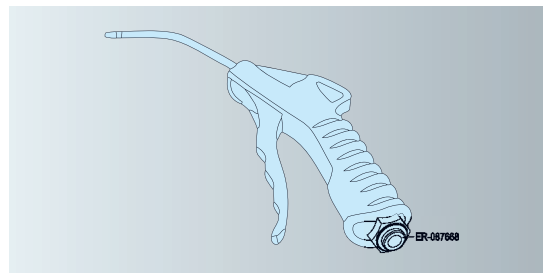
EROWA ITS Auxiliary Equipment

Chuck operation

ER-001846 Air jet



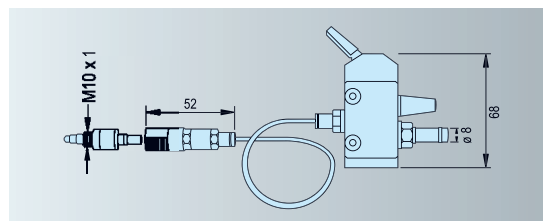
- Version Plastic, smooth regulation of air flow, connection 1/4", inside thread.
- Application Operation of manual chucks.
- Option Volume and pressure reduction to air jet (ER-087668). Pressure build up is reduced if Air Jet is not pushed against an air valve.



ER-010538 Manual valve



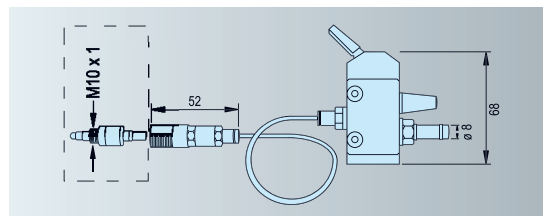
- Version Lever valve, incl. 2 m hose and coupling fittings A and B.
- Application Operation of chucks with an air connection for opening.
- Note Connecting thread M10x1.



ER-011598 Rapid-action coupling chuck side (A)



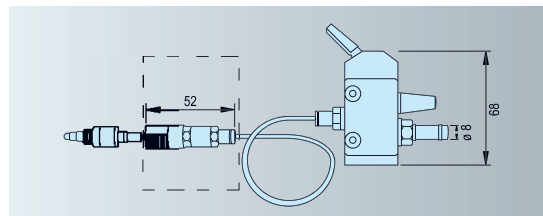
- Version Fast coupling for compressed air.
- Application Screw into a suitable EROWA chuck. Cf. manual.
- Note For connecting thread M10x1.



ER-011597 Rapid-action coupling hose side (B)



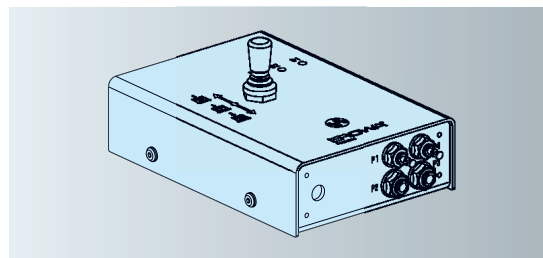
- Version Fast coupling for compressed air
- Application For use on the air supply



ER-008988 Manual control unit

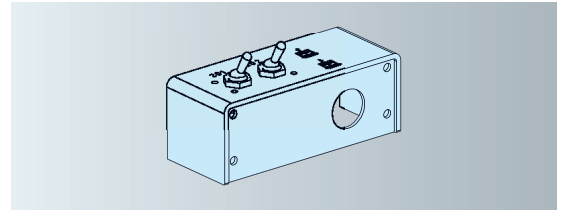


- Version Manual valve to control all the functions of ITS, ITS Compact CombiChuck, PowerChuck P and UPC: opening/reclamping/cleaning.
- Application Operation of chucks on machines.

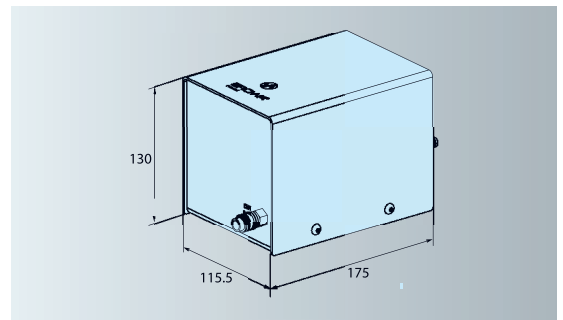


ER-039466 Additional valve double

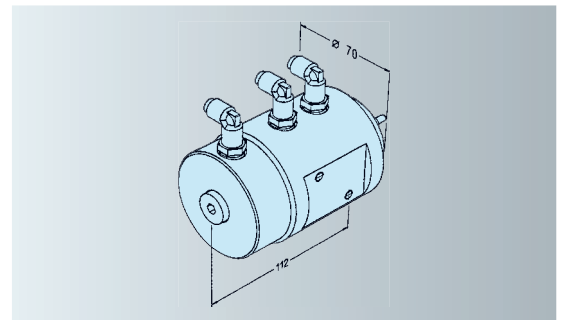
- Version For mounting to the manual control units ER-008988 and ER-073872, incl. set of hoses.
- Application Operating of two separate chucks with one single control unit.

**ER-074893 Pressure booster**

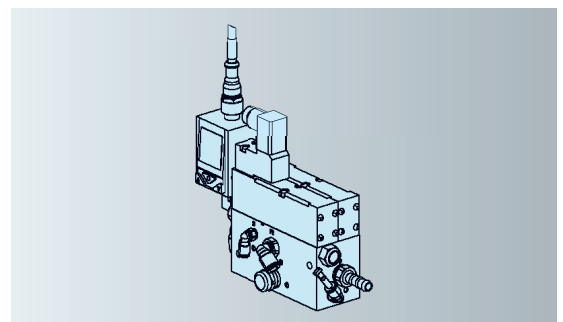
- Version Quick-connect couplings for hose $\varnothing i = 8$ mm.
Compression ratio: 1:2
- Application On insufficient system pressure and on pressure fluctuations.
- Installation Integrate in air circuit near application.

**ER-011362 Twin rotatable pneumatic connector****ER-011412 Triple rotatable pneumatic connector**

- Version Non machine specific connection flange. Two (three) air lines.
Max. speed: 6000 rpm.
Max. operating pressure: 10 bar.
- Application Air supply to EROWA chucks on rotatable spindles.
- Operation Only operate when spindle is at stand still!

**ER-070445 Control unit with monitoring**

- Version Electropneumatic valve. Outputs for chucks: opening/cleaning/reclamping. 24 V, incl. mounting accessories and 3 m connection hose.
- Application Operation and monitoring of machine-integrated chucks, for instance through the CNC M-function.



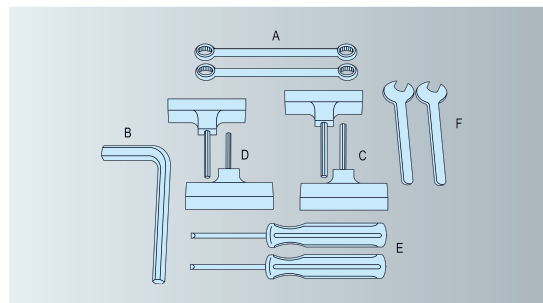
EROWA ITS Auxiliary Equipment

Toolroom accessories

ER-010906 Set of tools



Application A = Box wrench 8/10 mm for supporting feet M5
 B = Key 8 mm for chucking spigot
 C = Key with handle 4 mm
 D = Key with handle 3 mm
 E = Screwdriver for slotted screws in Uniplate
 F = Open-end wrench 8 mm

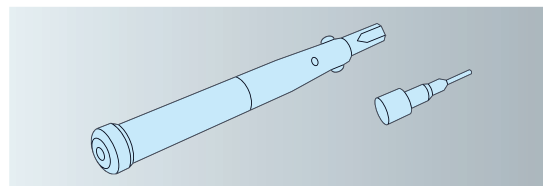


ER-011600 Torque wrench



Version Torque range up to 20 Nm, inc. 3, 4, 5, 6 mm key and one WS 8 mm bit.

Application Service and fitting work on ITS system parts.

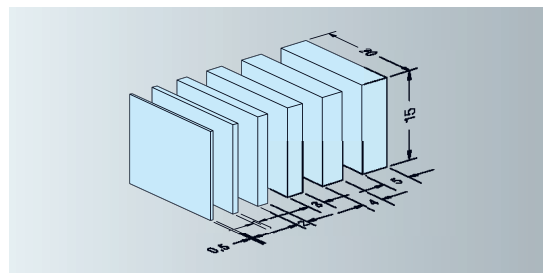


ER-010532 Spacer plate 300 pieces



Version 6 x 50 plates. Corrosion-resistant.
 Thicknesses from 0.5 mm to 5 mm.

Application Centering of blanks in electrode holders.



ER-010514 Insert plates 0.5mm 50 pieces

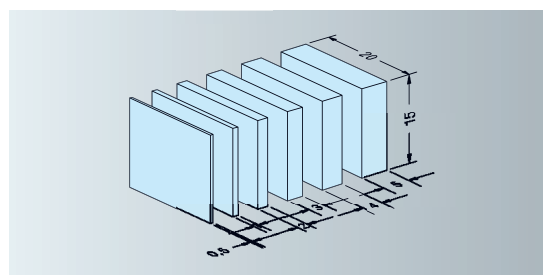
ER-010518 Insert plates 1mm 50 pieces

ER-010521 Insert plates 2mm 50 pieces

ER-010523 Insert plates 3mm 50 pieces

ER-010525 Insert plates 4mm 50 pieces

ER-010526 Insert plates 5mm 50 pieces

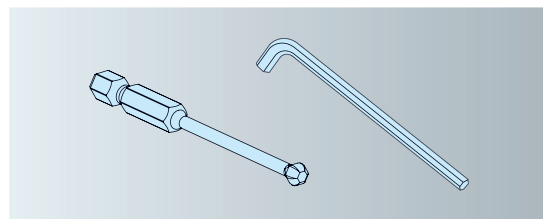


ER-103687 SW5 hex key set for ITS C



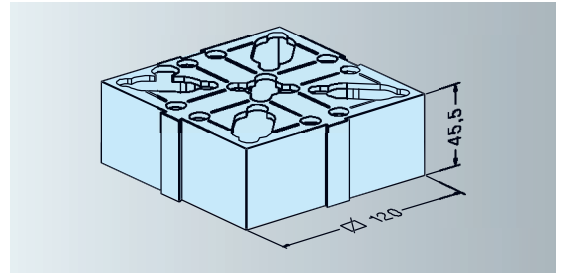
Version Consisting of 1 SW5 insert ball-point hex key, 1 hex key 5.

Application Tool used to attach electrode to the Uni plate C.

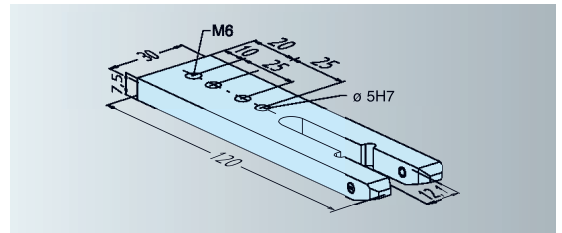


**ER-013913 System stand
10 pieces**

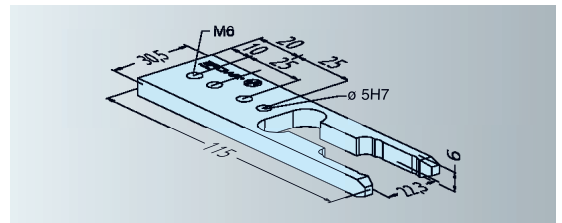
Version Plastic, set of 10.
 Application As a rack for four electrode holders 50 or a pallet
 \varnothing 115/148 mm.
 Please note System racks can be stuck together without any gaps, e. g.
 to be stored in drawers.


ER-010661 Carrier fork for electrode changer

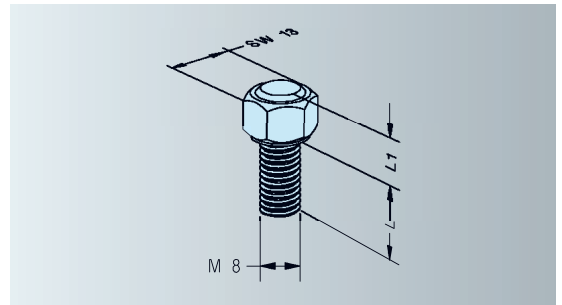

Version Steel, hardened, ground.
 Application To build simple electrode changers, suitable for ER-007521
 and ER-007523


ER-024808 Pick-up fork Combi

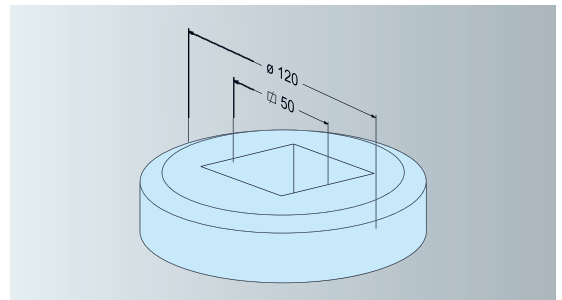

Version Corrosion-resistant steel.
 Application To make simple electrode changers suitable for chucks
 ER-020025 and ER-020026.


**ER-022457 Supporting foot SW13H/L=16/L1=11.4
20 pieces**
**ER-008547 Support foot SW13/L=16/L1=10.2
20 pieces**
**ER-008553 Support. foot SW13/L=21/L1=10.2
20 pieces**


Version Set of 20 supportfeet.
 ER-022457 L = 16 in combination with
 G-centering plates,
 Position outside the centering plate.
 ER-008547 L = 16 for punched centering plates,
 ER-008553 L = 21 for G-centering plates.


**ER-010744 Chip guard 50 x 50mm, \varnothing 120 mm
for rapid-action chuck**


Application On Uniplate, Prisround and all other standardholders.



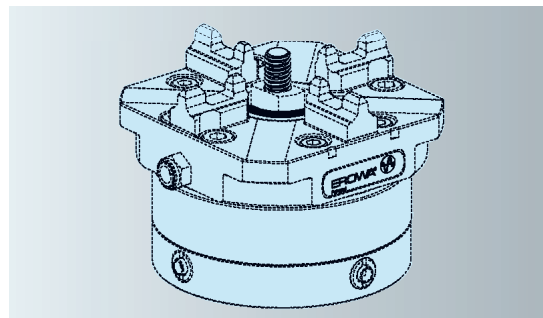
EROWA ITS Auxiliary Equipment

Toolroom accessories

ER-022355 Sealing ring for ITS chucking spigot 50 pieces



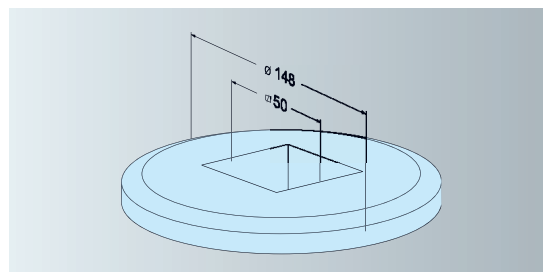
Application Set of 50 sealing rings. Sealing between chucking spigot and Rapid-action chuck.



ER-008475 Chip guard 50 x 50 for PowerChuck



Application On Uniplate, Prisround and all other standard holders.

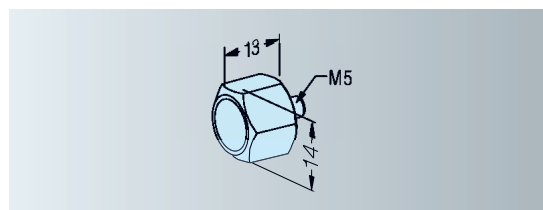


ER-035154 EWIS™ Rapid chip with chip holder SW14 with chip \varnothing 12,4 x 2mm



Version Sleeve fitting with built-in data carrier.
EWIS Rapid chip: read only.

Application In any EROWA electrode holder and pallet which has been prepared for it.

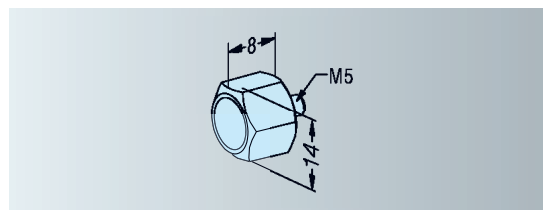


ER-094168 EWIS™ rapid chip with chip holder SW14 for holder C



Version Sleeve fitting with built-in data carrier.
EWIS Rapid chip: read only.

Application In any EROWA electrode holder and pallet which has been prepared for it.



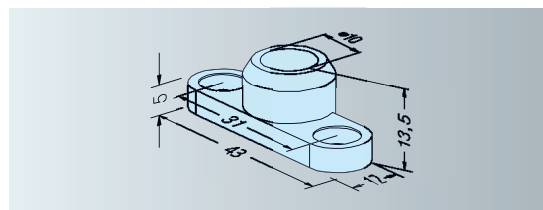
ER-035156 EWIS™ Rapid chip with chip holder long with chip \varnothing 12,4 x 2mm



Version Holder with built-in datacarrier.
EWIS™ Chip: read only.

Application With EROWA Collet Chuck holders and Square 15/25 holders.

Mounting With supplied M4 bolts.



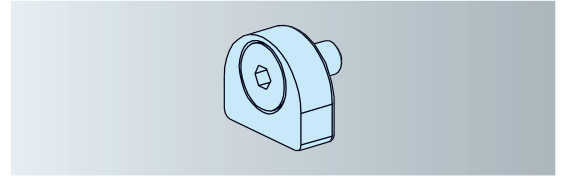
EROWA ITS Auxiliary Equipment

Spare parts

ER-035294 EWIS™ Rapid chip with chip holder RCS with chip \varnothing 12,4 x 2mm



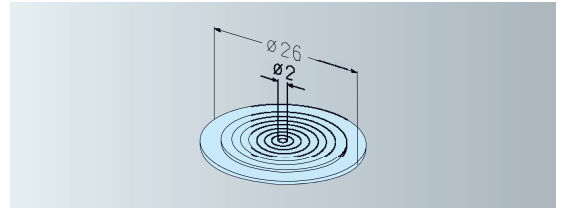
Version Holder with built-in data carrier. EWIS chip: read only.
Application To build into RCS coupling, PalletSet W holder and Basic WEDM holder.



ER-010694 Sealing washer 24 pieces



Application Set of 24 washers. Insertion in Prisround for sealing on central flushing.

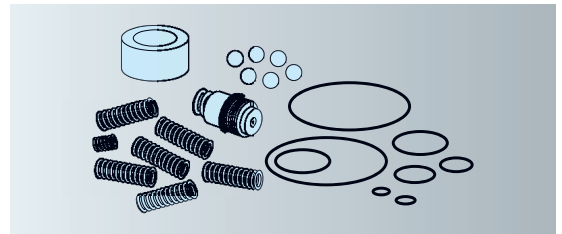


ER-013062 Repair kit for ITS chuck

ER-015985 Repair kit for ITS chuck INOX



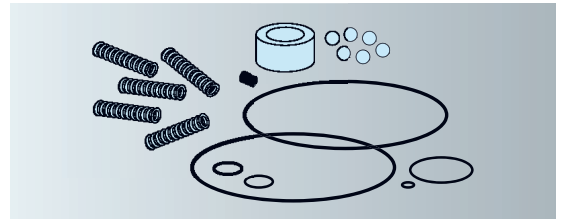
Version All the wear parts of ITS rapid-action chucks.
Application Dismantle chuck according to instructions supplied, replace parts.
Please note Every chuck is supplied with instructions. Please keep in a safe place.



ER-015962 Repair kit PowerChuck P



Version All the wear parts of PowerChuck P.
Application Dismantle chuck according to instructions supplied, replace parts.
Please note Every chuck is supplied with instructions. Please keep in a safe place.



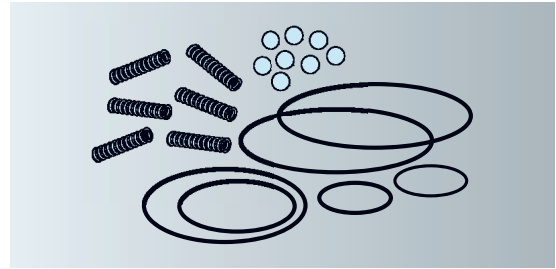
EROWA ITS Auxiliary Equipment

Spare parts

ER-023121 Repair kit for UPC O-rings, springs, balls



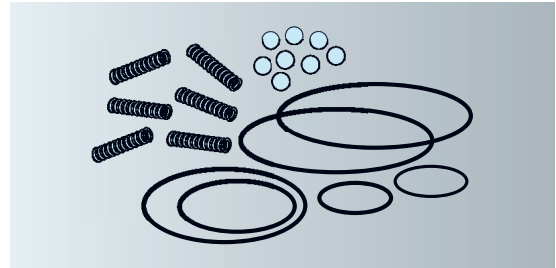
- Version All the wearing parts of UPC ER-016092, ER-016093, ER-070649 and ER-074524.
- Application Dismantle UPC according to instructions supplied, replace parts.
- Note Each UPC is supplied with an operating manual, which you will please keep.



ER-023120 Repair kit for UPC P O-rings, springs, balls



- Version All the wear parts of UPC P ER-016841, ER-078728 and ER-028784.
- Application Dismantle UPC P according to instructions supplied, replace parts.
- Note Each UPC P is supplied with an operating manual, which you will please keep.



ER-009007 Viton seal $\varnothing 18.5/12 \times 9$ mm 10 pieces



- Version Set of 10 seals.
- Application To fit ITS rapid-action and power.

